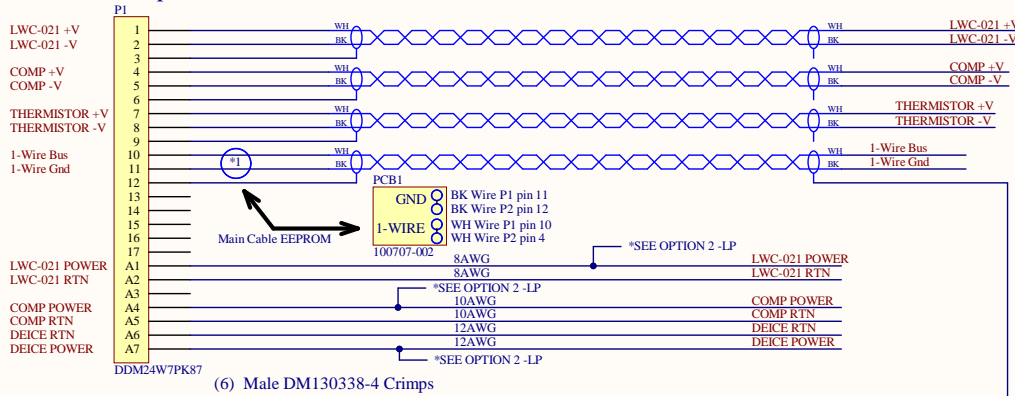
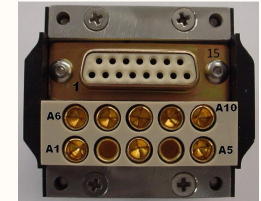
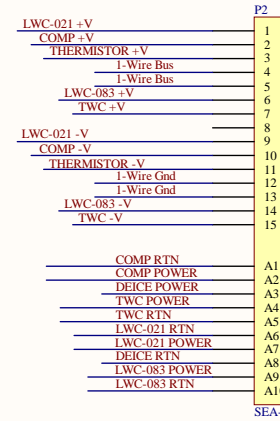


**Power Box Main End**  
Small LWC/Comp/Deice

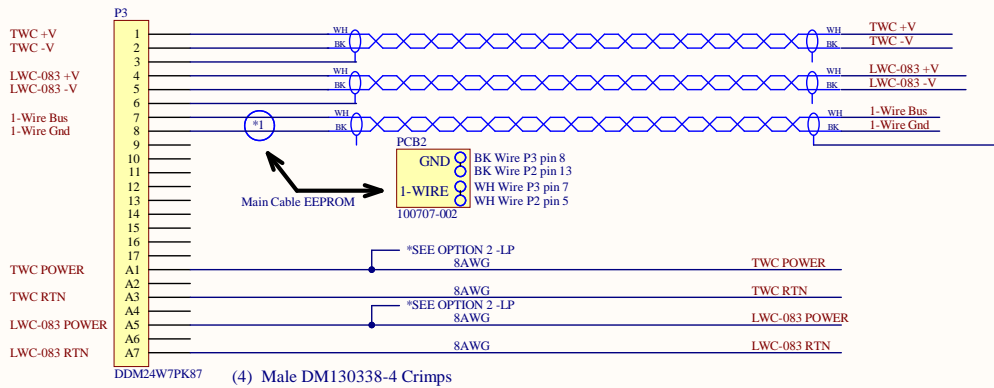
**SEA Standard 10' Length**



**Probe End**



**Power Box Secondary End**  
TWC/Large LWC



- (6) FC4008DS Female Sockets For 8AWG HX4 Crimper with Y524 Dia
- (4) FC4008DS Female Sockets For 10-12AWG M300BT Crimper with TP968 Dia

**Other sleeving parts**

- DWP-112K-ND Y- point heat shrink. Cut to 4" length.
- DWP-001K-ND Cable ends heat shrink. Cut to 2.5" lengths.
- EXFR3/4BK 12 Feet length for 10 foot cable
- EXFR1/2BK (2) 16 Inch length for 10 foot cable

MIL-W-16878/4 Wire or MIL-W-16878/5 Wire for 10AWG or larger

Part Number: 400230-C-LP

- OPTION 1 -C (Custom length option. Contact SEA for lengths beyond 10')
- OPTION 2 -LP (Lightening Protection Option)



Revision Notes:  
 \*1 EEproms are for SEA and are not required.

- B 4/30/14 - EEprom note and wire type added
- C 11/29/16 - Typo fixed on 1-wire bus label
- D 1/28/19 - Updated parts
- E 1/20/20 - Added Options

PROPRIETARY AND CONFIDENTIAL  
 THE INFORMATION CONTAINED IN  
 THIS DRAWING IS THE SOLE  
 PROPERTY OF SCIENCE  
 ENGINEERING ASSOC., INC. ANY  
 REPRODUCTION IN PART OR AS A  
 WHOLE WITHOUT THE WRITTEN  
 PERMISSION OF SCIENCE  
 ENGINEERING ASSOC., INC. IS  
 PROHIBITED.



**Science Engineering Associates Inc.**

Title <b>WCM Probe Cable</b>		Science Engineering Associates Inc. 65 Industrial Park Rd. West Tolland, CT 06084 Phone : 860-454-7701 Fax : 860-454-7364	
Size: B	Document #: 400230-E Part/PCB #: 400230	Revision: E	Date: 1/28/2020 Time: 2:13:30 PM
File: 400230-E.SchDoc	Sheet 1 of 1		