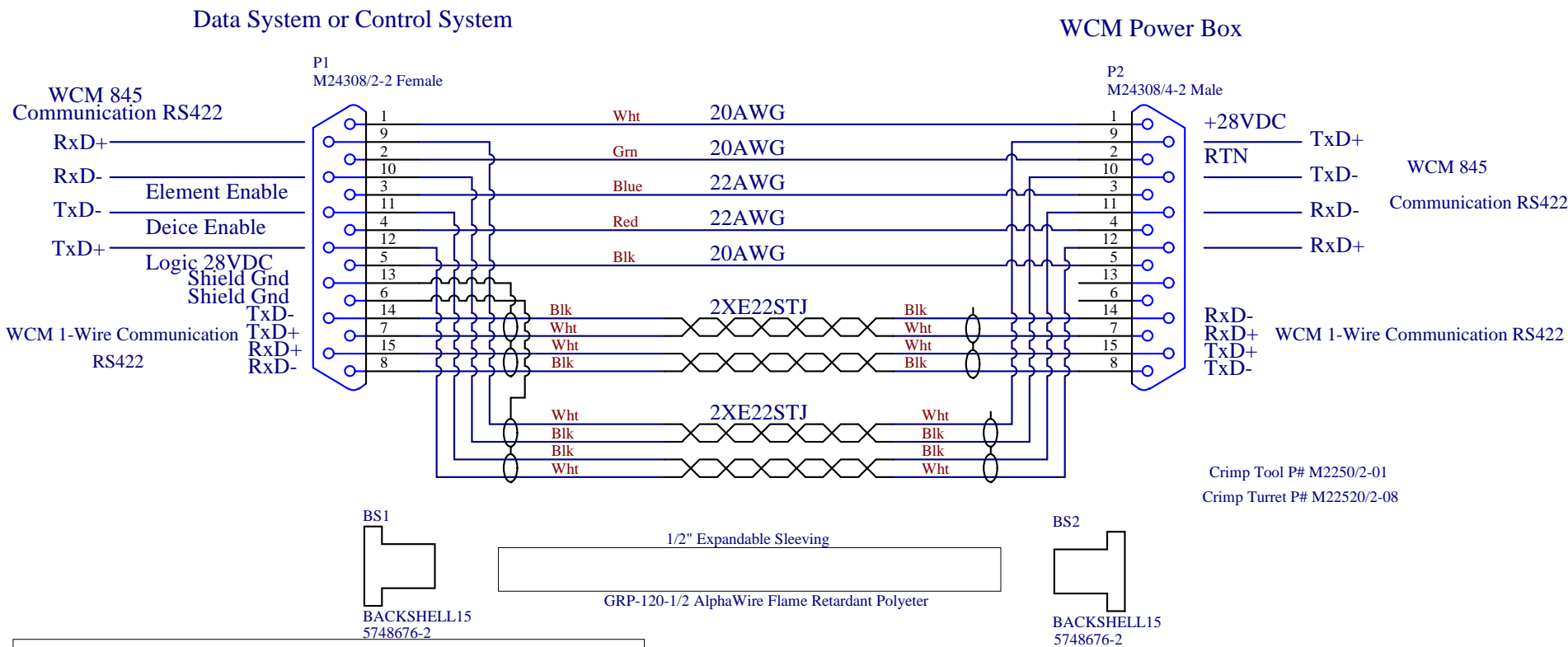


SEA Typical Supplied 40' Length



Revision Notes:
 B 9/2/11 - Wire type indicators added.
 C 9/15/2011 - Label discrepancies fixed.
 D 9/23/2011 - Wire color fixed.
 E 4/30/2014 - Wire color, AWG size and wire type updated
 F 10/19/2016 - Added Crimp tool info
 G 5/2/2017 - Shield ground correction
 H 1/4/2019 - Color change and gauge size update

Misc Build Notes:
 -Wires with 22AWG can be substituted with 24AWG.
 -Wire type MIL-W-16878/4
 -Added heatsrink at sleeving termination ends. Use 1/2" x 2" adhesive lined.
 -Sheilds are cut back 3.5" from end or 1/2" if kepted inside backshell.

PROPRIETARY AND CONFIDENTIAL
 THE INFORMATION CONTAINED IN
 THIS DRAWING IS THE SOLE
 PROPERTY OF SCIENCE
 ENGINEERING ASSOC., INC. ANY
 REPRODUCTION IN PART OR AS A
 WHOLE WITHOUT THE WRITTEN
 PERMISSION OF SCIENCE
 ENGINEERING ASSOC., INC. IS
 PROHIBITED.



Title WCM Communication Cable		Science Engineering Associates Inc. 65 Industrial Road West Tolland, CT 06084 Phone : 860-454-7701 Fax : 860-454-7364	
Size: A	Document #: 400240 Part/PCB #:	Revision: H	Date: 7/18/2019 Time: 7:55:32 AM
File: 400240-H.SchDoc		Sheet 1 of 1	