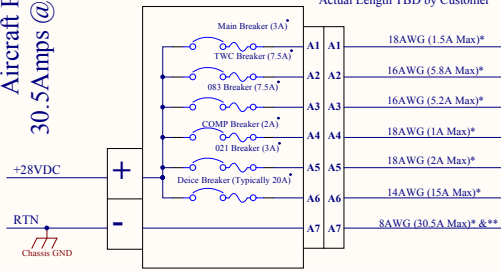


Aircraft Power
30.5Amps @ 28VDC

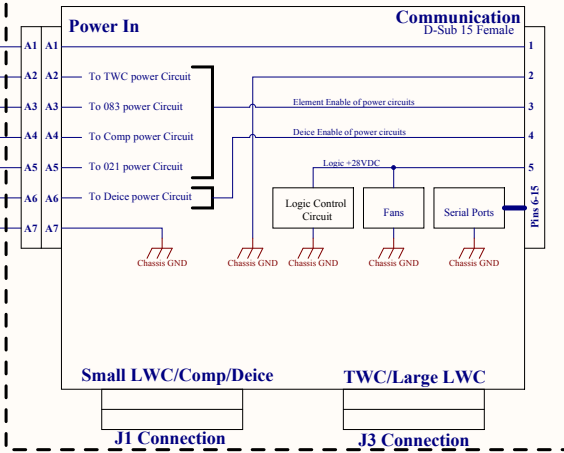
**Location Cabin
Breaker Box**

400250 Power Cable
SEA Supplied
20' Length or less for power requirements
Actual Length TBD by Customer



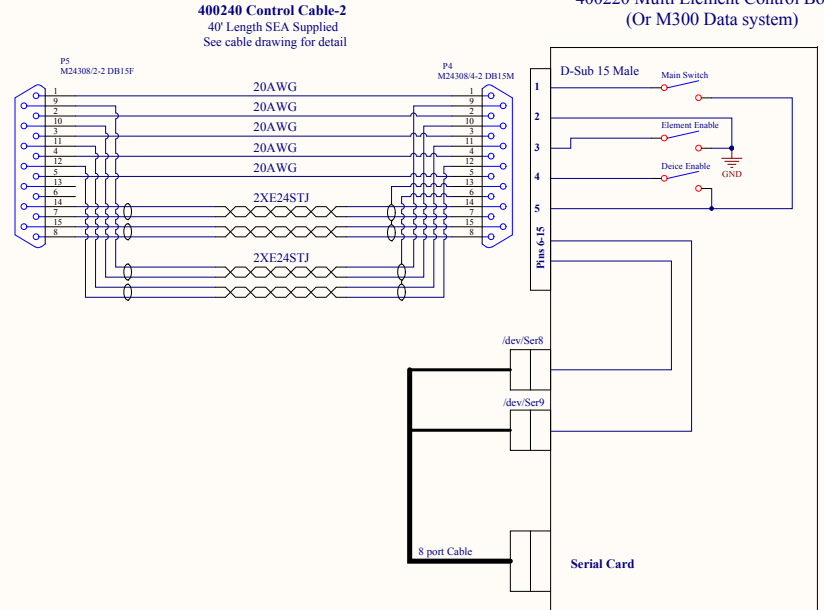
Location Cabin or In Wing

400210 Multi-Element Power Box

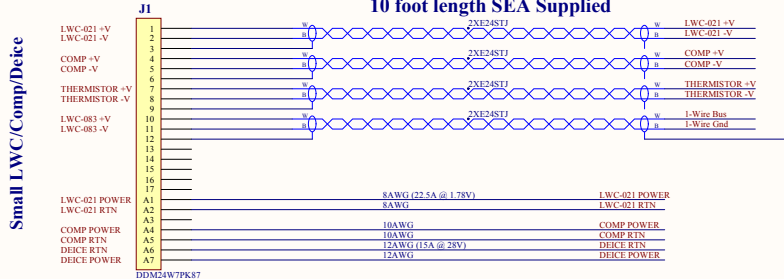


Location Cabin

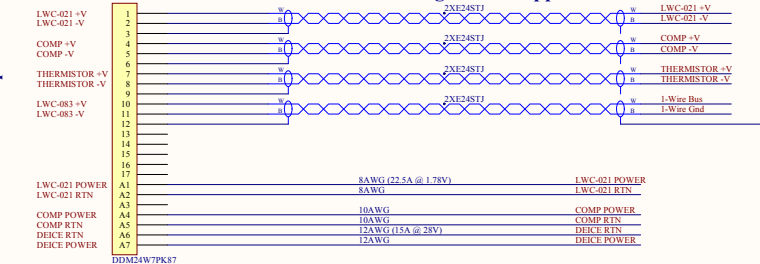
400220 Multi Element Control Box
(Or M300 Data system)



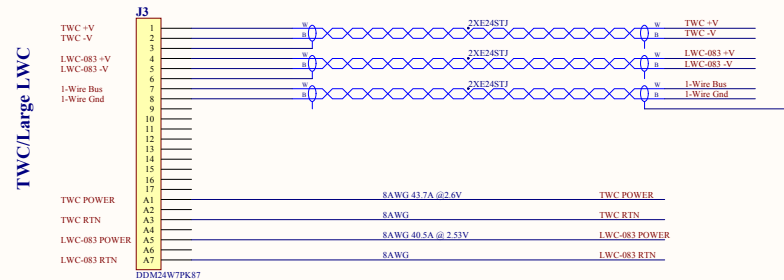
Power Box Main End



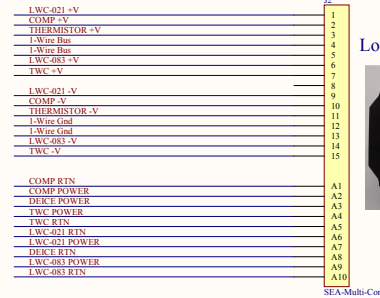
400230 Control Cable-1
10 foot length SEA Supplied



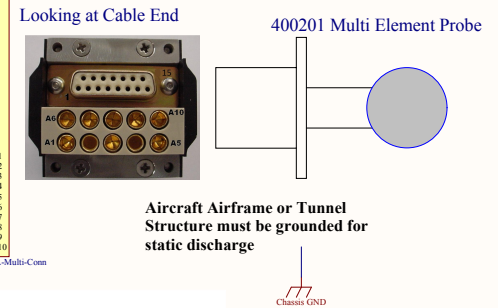
Power Box Secondary End



Probe End



Location Pylon



Notes:

Power Loading Calculated by Appendix C worst case intermittent Conditions.

*Wire Rating Calculation using AC43.13-1B And AS50881 Version D Altitude 45,000ft, 7 wires in bundle, 80% Load, 25 deg C

**Return can be Aircraft structure.

PROPRIETARY AND CONFIDENTIAL
THE INFORMATION CONTAINED IN THIS DRAWING IS THE SOLE PROPERTY OF SCIENCE ENGINEERING ASSOC. INC. ANY REPRODUCTION IN PART OR AS A WHOLE WITHOUT THE WRITTEN PERMISSION OF SCIENCE ENGINEERING ASSOC. INC. IS PROHIBITED.

SEA Inc.
Real Time Data Acquisition Systems

WCM General Icing Cert Connections

Science Engineering Associates Inc.
114C Mansfield Hollow Road
Mansfield Center, CT 06230
Phone: 860-450-1717
Fax: 860-450-1707

Title: WCM General Icing Cert Connections
Size: C
Schematic #: 400200-E
Part/PCB #: ?
Revision: B
Date: 6/10/2014 Time: 2:17:53 PM | Sheet 1 of 1