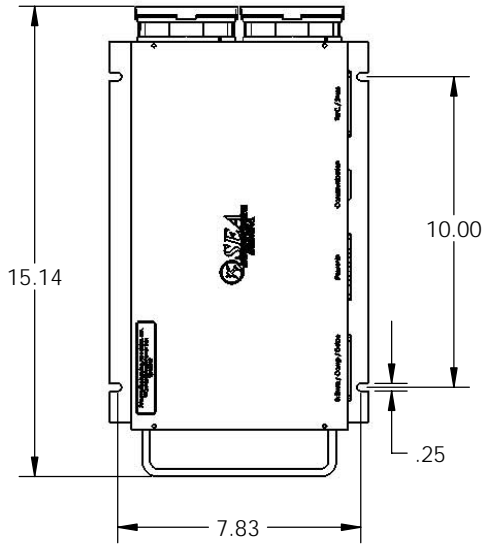


8 7 6 5 4 3 2 1

D

D

Weight: Approx. 10.5 lbs



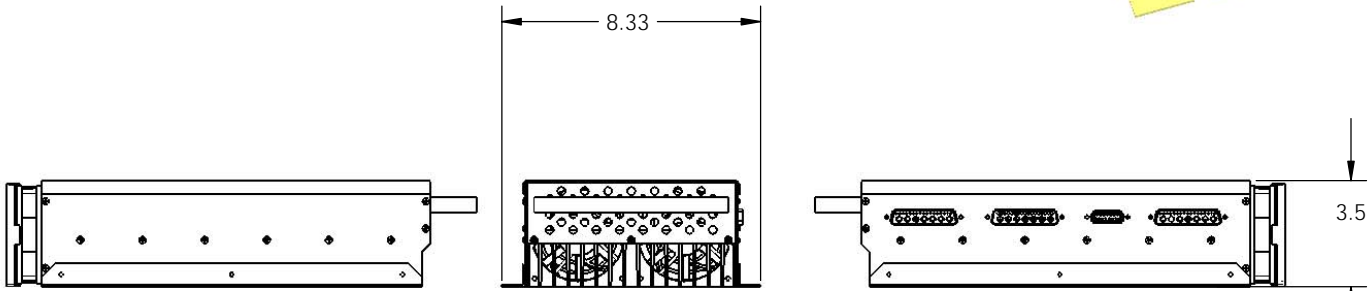
SCALE: 1:2

C

C

B

B



A

A

PROPRIETARY AND CONFIDENTIAL
 THE INFORMATION CONTAINED IN THIS DRAWING IS THE SOLE PROPERTY OF SCIENCE ENGINEERING ASSOC., INC. ANY REPRODUCTION IN PART OR AS A WHOLE WITHOUT THE WRITTEN PERMISSION OF SCIENCE ENGINEERING ASSOC., INC. IS PROHIBITED.

		UNLESS OTHERWISE SPECIFIED:		NAME	DATE	
		DIMENSIONS ARE IN INCHES TOLERANCES: FRACTIONAL ± 1/32 ANGULAR: MACH ± 1° BEND ± 2° TWO PLACE DECIMAL ± 015 THREE PLACE DECIMAL ± 005		DRAWN		
		INTERPRET GEOMETRIC TOLERANCING PER:		CHECKED		Multi-Element Power Box
		MATERIAL		ENG APPR.		
		FINISH		MFG APPR.		DWG. NO.
NEXT ASSY	USED ON			Q.A.		400210
APPLICATION		DO NOT SCALE DRAWING		COMMENTS:		REV
						SCALE: 1:4
						WEIGHT:
						SHEET 1 OF 1

8 7 6 5 4 3 2 1